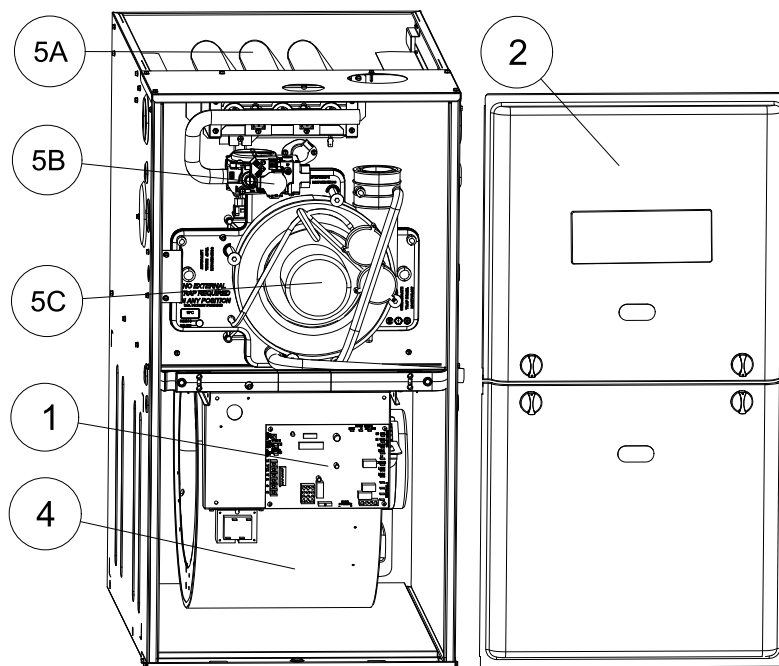


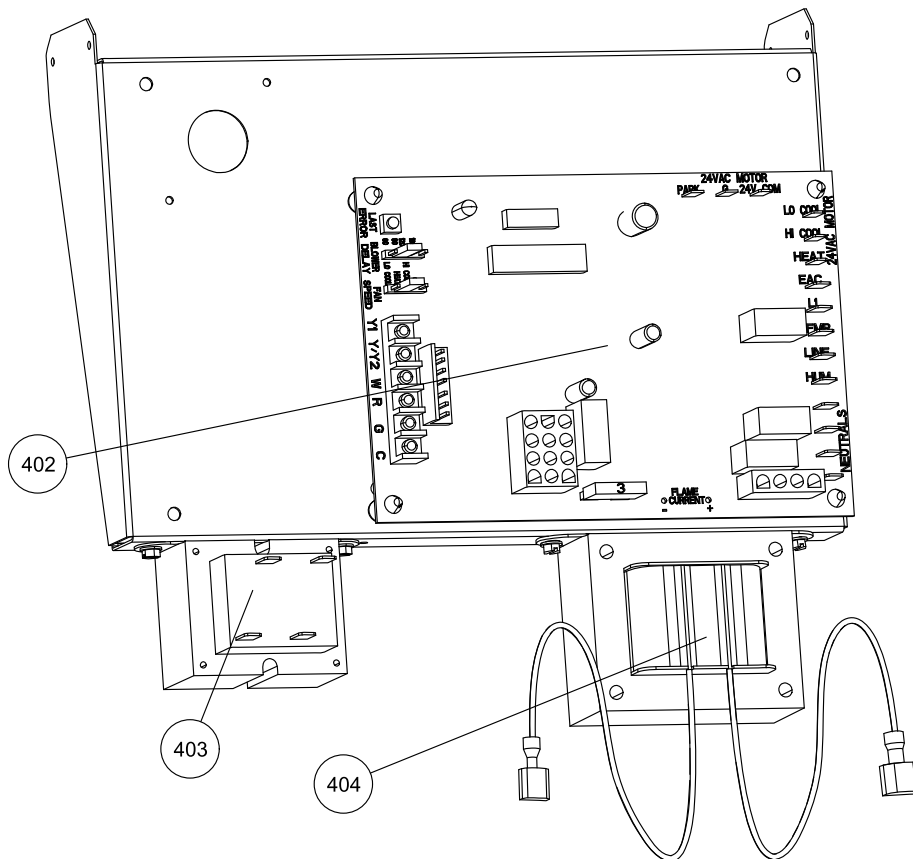
REPAIR PARTS LIST

PRINTED DATE: 1/27/2025

The information provided to you may include Johnson Controls' trade secrets, intellectual property, and confidential business information (including its Bill of Materials), and this information is to be kept in the strictest confidence and not to be disclosed to any third party without the prior written consent of Johnson Controls.



Section	Description
1	ELECTRICAL BOX / CONTROLS
2	SHEET METAL / CABINET PARTS
4	INDOOR BLOWER PARTS
5A	HEAT EXCHANGER
5B	BURNER ASSEMBLY
5C	INDUCED DRAFT ASSEMBLY COMPONENTS
8	MISCELLANEOUS
9	WIRING DIAGRAM / VFD PARAMETER
10	HARNESSES

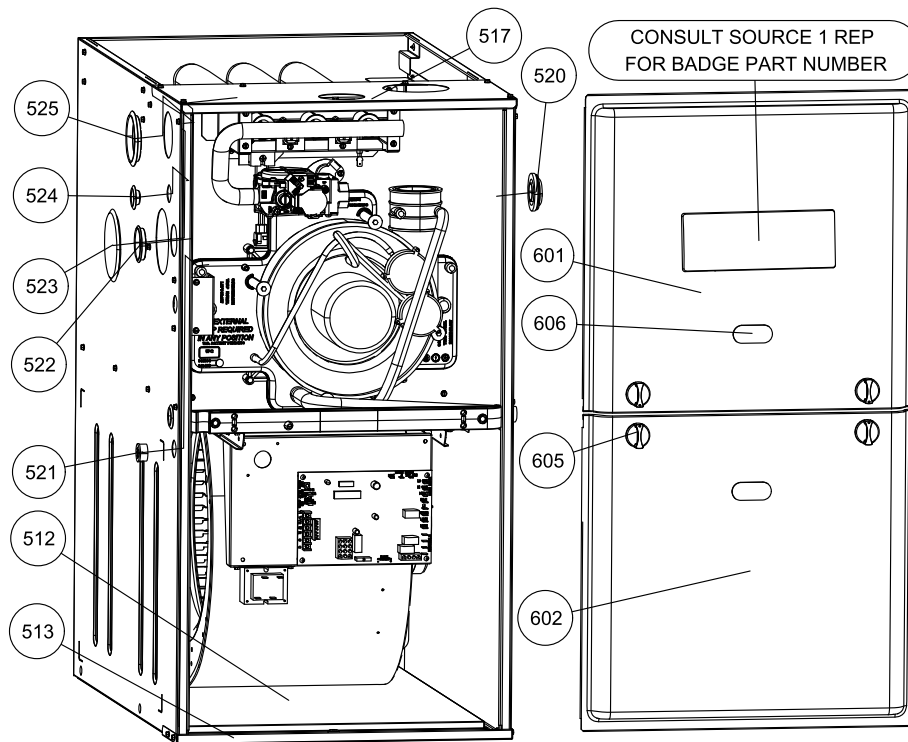


Section : ELECTRICAL BOX / CONTROLS

Section	Callout	Replacement Part #	Description	Original Part #	RGF1904 0AE10MP 13	RGF1906 0AE10MP 13	RGF1906 0BE12MP 13	RGF1908 0BE12MP 13	RGF1908 0CE16MP 13
1	NS	S1-02541333000	HARNESS,WIRE	S1-02541333000					1
1	NS	S1-02541334000	HARNESS,WIRE	S1-02541334000		1	1	1	
1	NS	S1-02541335000	HARNESS,WIRE	S1-02541335000	1				
1	402	S1-03102951001	BOARD,CNTRL,SINGLE STAGE,X13	S1-03102951001	1	1	1	1	1
1	403	S1-2940A3541	TRNSF,120V,24V/40VA,50/60HZ	S1-2940A3541	1	1	1	1	1

Section	Callout	Replacement Part #	Description	Original Part #	RGF1910 0CE16MP 13	RGF1910 0CE20MP 13	RGF1912 0DE20MP 13		
1	NS	S1-02541333000	HARNESS,WIRE	S1-02541333000	1	1	1		
1	402	S1-03102951001	BOARD,CNTRL,SINGLE STAGE,X13	S1-03102951001	1	1	1		
1	403	S1-2940A3541	TRNSF,120V,24V/40VA,50/60HZ	S1-2940A3541	1	1	1		
1	404	S1-02435604000	KIT,CHOKE,ECM 12.00A	S1-02435604000		1	1		

Suggested stocking items are shown with shaded item number.



Section : SHEET METAL / CABINET PARTS

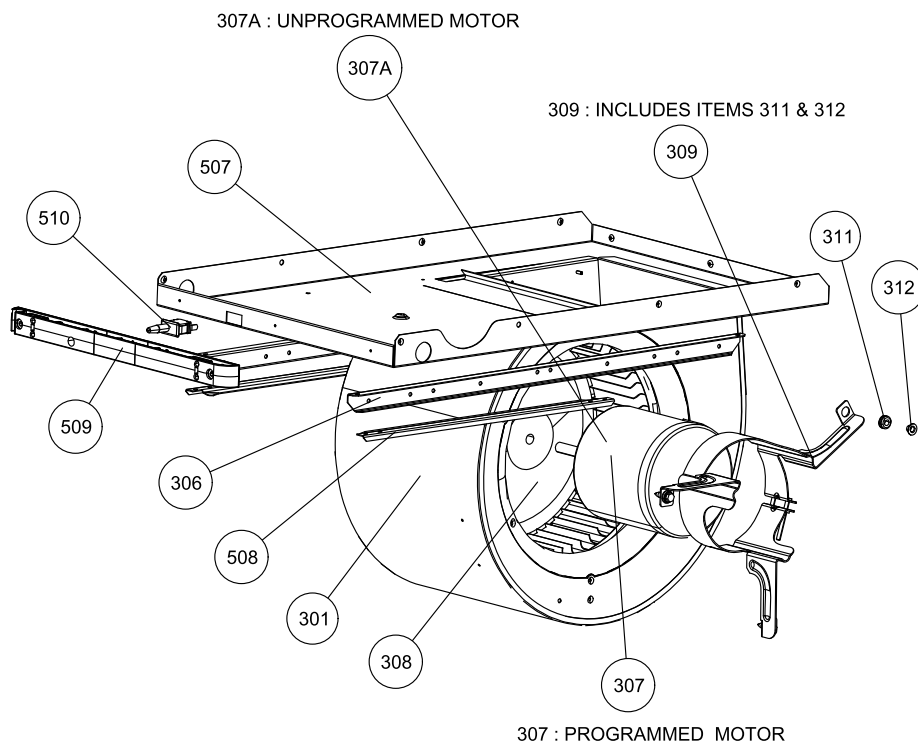
Section	Callout	Replacement Part #	Description	Original Part #	RGF1904 0AE10MP 13	RGF1906 0AE10MP 13	RGF1906 0BE12MP 13	RGF1908 0BE12MP 13	RGF1908 0CE16MP 13
2	NS	S1-01301504000	COMPOUND,MASTIC,1 X 1 X3/8 THK,GR 9	S1-01301504000	4	4	4	4	4
2	512	S1-07327827001	PNL_BLOCKOFF 14.5 INCH CABINET	S1-07327827001	1	1			
2	512	S1-07327827002	PNL_BLOCKOFF 17.5 INCH CABINET	S1-07327827002			1	1	
2	512	S1-07327827003	PNL_BLOCKOFF 21 INCH CABINET	S1-07327827003					1
2	513	S1-07327841001	CASING,BOTTOM,14.5 INCH,CHAMPAGNE	S1-07327841001	1	1			
2	513	S1-07327841002	CASING,BOTTOM,17.5 INCH,CHAMPAGNE	S1-07327841002			1	1	
2	513	S1-07327841003	CASING,BOTTOM,21.5 INCH,CHAMPAGNE	S1-07327841003					1
2	517	S1-07327842001	PNL_TOP,14.5 INCH,CHAMPAGNE	S1-07327842001	1	1			
2	517	S1-07327842002	PNL_TOP,17.5 INCH, NON-METALLIC CHAMPAGNE	S1-07327842002			1		
2	517	S1-07327842003	PNL_TOP 17.5 INCH, NON-METALLIC CHAMPAGNE	S1-07327842003				1	
2	517	S1-07327842004	PNL_TOP 21 INCH, NON-METALLIC CHAMPAGNE	S1-07327842004					1
2	520	S1-02804859900	GRMMT,PVC,0.88D X 1.63 MTG	S1-02804859900	1	1	1	1	1
2	522	S1-02814787000	GROMMET,1-5/8 INCH	S1-02814787000	1	1	1	1	1

2	523	S1-02924406001	PLUG,HOLE,VENT	S1-02924406001	2	2	2	2	2
2	524	S1-02815853000	PLUG,SEAL 7/8 INCH HOLE BLACK	S1-02815853000	5	5	5	5	5
2	525	S1-02815854000	PLUG,SEAL 2-3/8 INCH HOLE BLACK	S1-02815854000	2	2	2	2	2
2	601	S1-37339583000	DOOR,UPPER ASSEM,14.5,SMOOTH GRANITE	S1-37339583000	1	1			
2	601	S1-37339584000	DOOR,UPPER ASSEM,17.5,SMOOTH GRANITE	S1-37339584000			1	1	
2	601	S1-37339585000	DOOR,UPPER ASSEM,21.0,SMOOTH GRANITE	S1-37339585000					1
2	602	S1-37339569000	DOOR ASSEM,14.5,SMOOTH GRANITE	S1-37339569000	1	1			
2	602	S1-37339570000	DOOR ASSEM,17.5,SMOOTH GRANITE	S1-37339570000			1	1	
2	602	S1-37339571000	DOOR ASSEM,21.0,SMOOTH GRANITE	S1-37339571000					1
2	605	S1-02818916000	KNOB,ASSY,HANDLE/LATCH	S1-02818916000	2	2	2	2	2
2	606	S1-02538899000	SIGHT GLASS OVAL	S1-02538899000	1	1	1	1	1

Section	Callout	Replacement Part #	Description	Original Part #	RGF1910 OCE16MP 13	RGF1910 OCE20MP 13	RGF1912 ODE20MP 13		
2	NS	S1-01301504000	COMPOUND,MASTIC,1 X 1 X3/8 THK,GR 9	S1-01301504000	4	4	4		
2	512	S1-07327827003	PNL,BLOCKOFF 21 INCH CABINET	S1-07327827003	1	1			
2	512	S1-07327827004	PNL,BLOCKOFF 24.5 INCH CABINET	S1-07327827004			1		
2	513	S1-07327841003	CASING,BOTTOM,21.5 INCH,CHAMPAGNE	S1-07327841003	1	1			
2	513	S1-07327841004	CASING,BOTTOM 24.5 INCH,CHAMPAGNE	S1-07327841004			1		
2	517	S1-07327842005	PNL, TOP,21",NON-METALLIC CHAMPAGNE	S1-07327842005	1	1			
2	517	S1-07327842006	PNL, TOP,24.5 INCH,CHAMPAGNE	S1-07327842006			1		
2	520	S1-02804859900	GRMMT,PVC,0.88D X 1.63 MTG	S1-02804859900	1	1	1		
2	522	S1-02814787000	GROMMET,1-5/8 INCH	S1-02814787000	1	1	1		
2	523	S1-02924406001	PLUG,HOLE,VENT	S1-02924406001	2	2	2		
2	524	S1-02815853000	PLUG,SEAL 7/8 INCH HOLE BLACK	S1-02815853000	5	5	5		
2	525	S1-02815854000	PLUG,SEAL 2-3/8 INCH HOLE BLACK	S1-02815854000	2	2	2		
2	601	S1-37339585000	DOOR,UPPER ASSEM,21.0,SMOOTH GRANITE	S1-37339585000	1	1			
2	601	S1-37339586000	DOOR,UPPER ASSEM,24.5,SMOOTH GRANITE	S1-37339586000			1		
2	602	S1-37339571000	DOOR ASSEM,21.0,SMOOTH GRANITE	S1-37339571000	1	1			
2	602	S1-37339572000	DOOR ASSEM,24.5,SMOOTH GRANITE	S1-37339572000			1		
2	605	S1-02818916000	KNOB,ASSY,HANDLE/LATCH	S1-02818916000	2	2	2		

2	606	S1-02538899000	SIGHT GLASS OVAL	S1-02538899000	1	1	1		
---	-----	----------------	------------------	----------------	---	---	---	--	--

Suggested stocking items are shown with shaded item number.



Section : INDOOR BLOWER PARTS

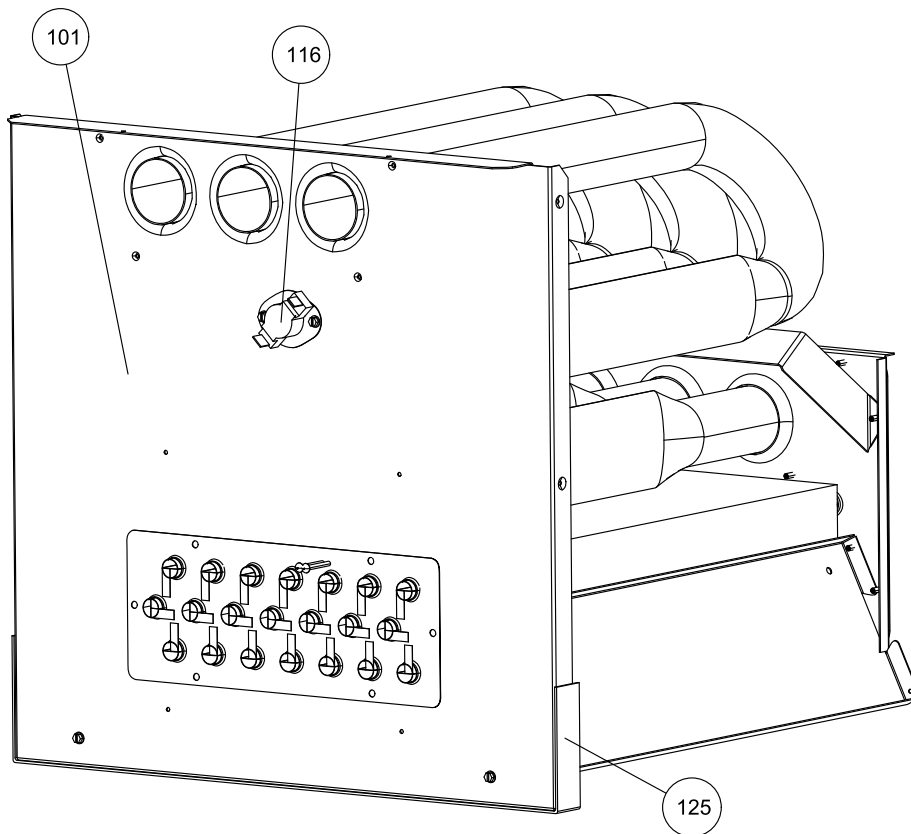
Section	Callout	Replacement Part #	Description	Original Part #	RGF1904 0AE10MP 13	RGF1906 0AE10MP 13	RGF1906 0BE12MP 13	RGF1908 0BE12MP 13	RGF1908 0CE16MP 13
4	NS	S1-02551481000	HARNESS,MOTOR ENSITE	S1-02551481000	1	1	1	1	1
4	301	S1-37327824001	HOUSING,BLOWER,11 X 8,33 INCH	S1-37327824001	1	1	1	1	
4	301	S1-37327824002	HOUSING,BLOWER,11 X 10,33 INCH	S1-37327824002					1
4	306	S1-07327825001	RAIL,BLOWER	S1-07327825001	2	2	2	2	2
4	307	S1-32439721006	MTR,BLW,PRGRM,1/2,115V,EC M,REGAL-ENSITE	S1-32439721006	1				
4	307	S1-32439721007	MTR,BLW,PRGRM,1/2,115V,EC M,REGAL-ENSITE	S1-32439721007		1			
4	307	S1-32439721008	MTR,BLW,PRGRM,1/2,115V,EC M,REGAL-ENSITE	S1-32439721008			1		
4	307	S1-32439721009	MTR,BLW,PRGRM,1/2,115V,EC M,REGAL-ENSITE	S1-32439721009				1	
4	307	S1-32440874001	MTR,BLW,PRGRM,5/8,115V,EC M,REGAL-ENSITE	S1-32440874001					1
4	307A	S1-02439721000	MTR,BLW,UNPRGM,1/2,115V,EC M,REGAL-ENSITE	S1-02439721000	1	1	1	1	
4	307A	S1-02440874000	MTR,BLW,UNPRGM,5/8,115V,EC M,REGAL-ENSITE	S1-02440874000					1
4	308	S1-02619654014	WHL,BLW,11 X 10,CW,1/2 BORE	S1-02619654014					1
4	308	S1-02619654709	WHL,BLW,11 X 8,CW,1/2 BORE	S1-02619654709	1	1	1	1	

4	309	S1-37319831002	MOUNT,MOTOR KIT	S1-37319831002	1	1	1	1	1
4	311	S1-02814740000	GROMMET,NEOPRENE,5/8D X 0.281 MTG	S1-02814740000	3	3	3	3	3
4	312	S1-02320541000	FERRULE	S1-02320541000	3	3	3	3	3
4	507	S1-07327823001	SHELF,BLOWER,A,80% 14.5 INCH CABINET	S1-07327823001	1	1			
4	507	S1-07327823002	SHELF,BLOWER,B,80%,17.5 INCH CABINET	S1-07327823002			1	1	
4	507	S1-07327823003	SHELF,BLOWER,C,4T,80% 21 INCH CABINET	S1-07327823003					1
4	508	S1-07327825002	BRACKET,BLOWER TRACK	S1-07327825002	2	2	2	2	2
4	509	S1-02815512000	DOOR BRACKET,14.5	S1-02815512000	1	1			
4	509	S1-02815513000	DOOR BRACKET,17.5	S1-02815513000			1	1	
4	509	S1-02815514000	BRACKET,DOOR 21 INCH CABINET	S1-02815514000					1
4	510	S1-02435738000	SWITCH,FURNACE DOOR	S1-02435738000	1	1	1	1	1

Section	Callout	Replacement Part #	Description	Original Part #	RGF1910 OCE16MP 13	RGF1910 OCE20MP 13	RGF1912 ODE20MP 13		
4	NS	S1-02551481000	HARNESS,MOTOR ENSITE	S1-02551481000	1	1	1		
4	301	S1-37327824002	HOUSING,BLOWER,11 X 10,33 INCH	S1-37327824002	1				
4	301	S1-37327824003	HOUSING,BLOWER,11 X11,33 INCH	S1-37327824003		1	1		
4	306	S1-07327825001	RAIL,BLOWER	S1-07327825001	2	2	2		
4	307	S1-32439724003	MTR,BLW,PRGRM,1.0,115V,EC M,REGAL-ENSITE	S1-32439724003		1			
4	307	S1-32439724004	MTR,BLW,PRGRM,1.0,115V,EC M,REGAL-ENSITE	S1-32439724004			1		
4	307	S1-32440874002	MTR,BLW,PRGRM,5/8,115V,EC M,REGAL-ENSITE	S1-32440874002	1				
4	307A	S1-02439724000	MTR,BLW,UNPRGM,1.0,115V,EC M,REGAL-ENSITE	S1-02439724000		1	1		
4	307A	S1-02440874000	MTR,BLW,UNPRGM,5/8,115V,EC M,REGAL-ENSITE	S1-02440874000	1				
4	308	S1-02619654014	WHL,BLW,11 X 10,CW,1/2 BORE	S1-02619654014	1				
4	308	S1-02638510000	WHL,BLW 11X11,CW,1/2" BORE	S1-02638510000		1	1		
4	309	S1-37319831002	MOUNT,MOTOR KIT	S1-37319831002	1	1	1		
4	311	S1-02814740000	GROMMET,NEOPRENE,5/8D X 0.281 MTG	S1-02814740000	3	4	4		
4	312	S1-02320541000	FERRULE	S1-02320541000	3	4	4		
4	507	S1-07327823003	SHELF,BLOWER,C,4T,80% 21 INCH CABINET	S1-07327823003	1				
4	507	S1-07327823004	SHELF,BLOWER,C,5T,80% 21 INCH CABINET	S1-07327823004		1			
4	507	S1-07327823005	SHELF,BLOWER,D,80% 24.5 INCH CABINET	S1-07327823005			1		

4	508	S1-07327825002	BRACKET,BLOWER TRACK	S1-07327825002	2	2	2		
4	509	S1-02815514000	BRACKET,DOOR 21 INCH CABINET	S1-02815514000	1	1			
4	509	S1-02815515000	DOOR BRACKET,24.5	S1-02815515000			1		
4	510	S1-02435738000	SWITCH,FURNACE DOOR	S1-02435738000	1	1	1		

Suggested stocking items are shown with shaded item number.



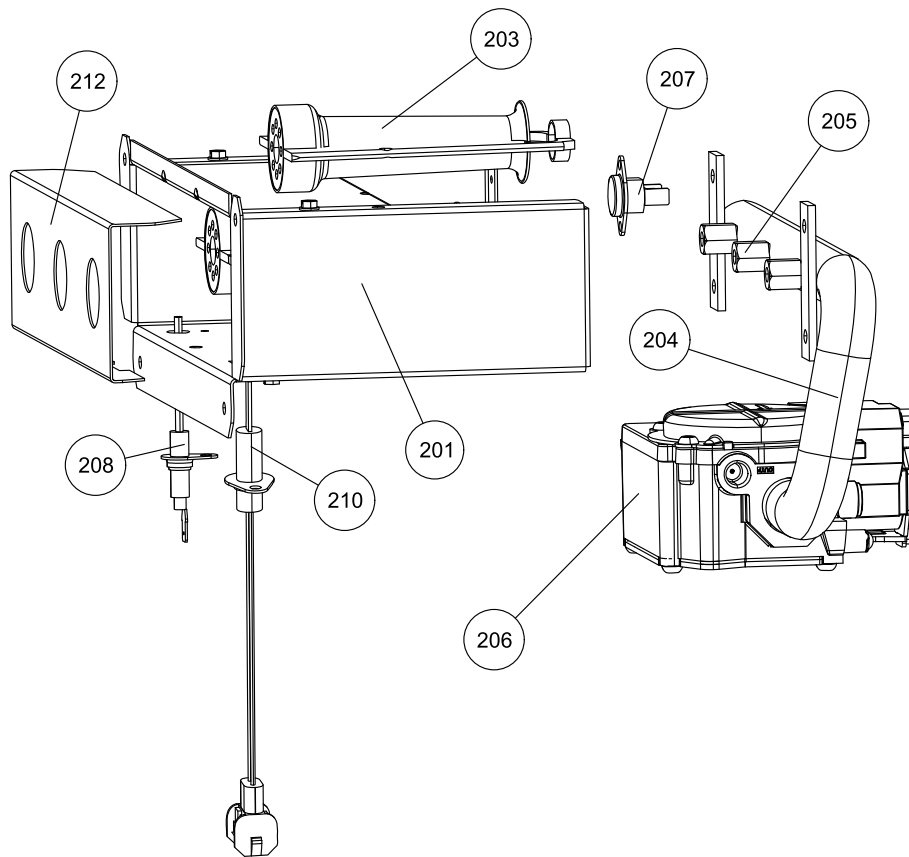
Section : HEAT EXCHANGER

Section	Callout	Replacement Part #	Description	Original Part #	RGF1904 0AE10MP 13	RGF1906 0AE10MP 13	RGF1906 0BE12MP 13	RGF1908 0BE12MP 13	RGF1908 0CE16MP 13
5A	101	S1-37347212001	HEAT EXCH,2 CELL,95 PERCENT,A-CAB,SS	S1-37347212001	1				
5A	101	S1-37347213001	HEAT EXCH,3 CELL,95 PCT,A-CAB,SS	S1-37347213001		1			
5A	101	S1-37347214001	HEAT EXCH,3 CELL,95 PCT,B-CAB,SS	S1-37347214001			1		
5A	101	S1-37347215001	HEAT EXCH,4 CELL,95 PCT,B-CAB,SS	S1-37347215001				1	
5A	101	S1-37347216001	HEAT EXCH,4 CELL,95 PCT,C-CAB,SS	S1-37347216001					1
5A	116	S1-02541321000	CNTRL,TEMP,150 OPEN,110 CLOSE,AUTO	S1-02541321000		1	1	1	1
5A	116	S1-02541322000	CNTRL,TEMP,160 OPEN,120 CLOSE,AUTO	S1-02541322000	1				
5A	125	S1-02809443001	GASKET,FIBERGLASS	S1-02809443001	2	2	2	2	3

Section	Callout	Replacement Part #	Description	Original Part #	RGF1910 0CE16MP 13	RGF1910 0CE20MP 13	RGF1912 0DE20MP 13		
5A	101	S1-37347218001	HEAT EXCH,5 CELL,95 PCT,C-CAB,SS	S1-37347218001	1	1			
5A	101	S1-37347219001	HEAT EXCH,6 CELL,95 PCT,D-CAB,SS	S1-37347219001			1		
5A	116	S1-02541321000	CNTRL,TEMP,150 OPEN,110 CLOSE,AUTO	S1-02541321000	1	1			
5A	116	S1-02541322000	CNTRL,TEMP,160 OPEN,120 CLOSE,AUTO	S1-02541322000			1		

5A	125	S1-02809443001	GASKET,FIBERGLASS	S1-02809443001	3	3	3		
----	-----	----------------	-------------------	----------------	---	---	---	--	--

Suggested stocking items are shown with shaded item number.



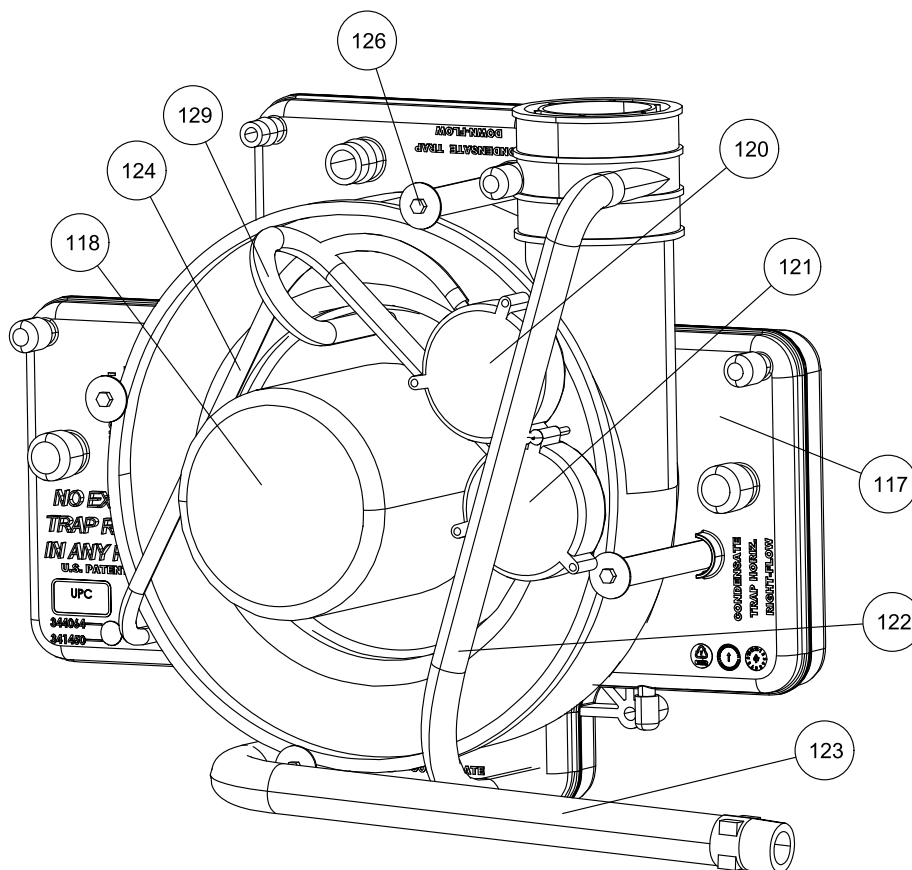
Section : BURNER ASSEMBLY

Section	Callout	Replacement Part #	Description	Original Part #	RGF1904 0AE10MP 13	RGF1906 0AE10MP 13	RGF1906 0BE12MP 13	RGF1908 0BE12MP 13	RGF1908 0CE16MP 13
5B	NS	S1-07339394001	SUPPORT,BURNER	S1-07339394001				1	1
5B	NS	S1-37327943001	KIT,BURNER ALIGNMENT BRKT	S1-37327943001	1	2	2	2	2
5B	201	S1-37339477001	KIT,WRAPPER,BURNER BOX,2 CELL	S1-37339477001	1				
5B	201	S1-37339477002	KIT,WRAPPER,BURNER BOX,3 CELL	S1-37339477002		1	1		
5B	201	S1-37339477003	KIT,WRAPPER,BURNER BOX,4 CELL	S1-37339477003				1	1
5B	203	S1-02920482000	BRNR,GAS,MAIN	S1-02920482000	2	3	3	4	4
5B	204	S1-02924466000	MANIFOLD,GAS,2 CELL	S1-02924466000	1				
5B	204	S1-02924467000	MANIFOLD,GAS,3 CELL	S1-02924467000		1	1		
5B	204	S1-02924468000	MANIFOLD,GAS,4 CELL	S1-02924468000				1	1
5B	205	S1-02921182245	ORIFICE,BURNER DRILL SIZE 45	S1-02921182245	2	3	3	4	4
5B	206	S1-32544123000	KIT,VLV,GAS,WR SINGLE STAGE,J STYLE	S1-32544123000	1	1	1	1	1
5B	207	S1-02541318000	SWITCH,LIMIT 250 MANUAL RESET	S1-02541318000	1	2	2	2	2
5B	208	S1-02537499000	SENSOR,FLAME,GAS	S1-02537499000	1	1	1	1	1

5B	210	S1-02545231000	IGNITER,SILICON NITRIDE,KYOCERA	S1-02545231000	1	1	1	1	1
5B	212	S1-37339494001	KIT,BURNER PLATE,95%,40M	S1-37339494001	1				
5B	212	S1-37339494002	KIT,BURNER PLATE,95%,60M	S1-37339494002		1	1		
5B	212	S1-37339494003	KIT,BURNER PLATE,95%,80M	S1-37339494003				1	1

Section	Callout	Replacement Part #	Description	Original Part #	RGF1910 OCE16MP 13	RGF1910 OCE20MP 13	RGF1912 ODE20MP 13		
5B	NS	S1-37327943001	KIT,BURNER ALIGNMENT BRKT	S1-37327943001	2	2	2		
5B	201	S1-37339477004	KIT,WRAPPER,BURNER BOX,5 CELL	S1-37339477004	1	1			
5B	201	S1-37339477005	KIT,WRAPPER,BURNER BOX,6 CELL	S1-37339477005			1		
5B	203	S1-02920482000	BRNR,GAS,MAIN	S1-02920482000	5	5	6		
5B	204	S1-02924469000	MANIFOLD,GAS,5 CELL	S1-02924469000	1	1			
5B	204	S1-02924470000	MANIFOLD,GAS,6 CELL	S1-02924470000			1		
5B	205	S1-02921182245	ORIFICE,BURNER DRILL SIZE 45	S1-02921182245	5	5	6		
5B	206	S1-32544123000	KIT,VLV,GAS,WR SINGLE STAGE,J STYLE	S1-32544123000	1	1	1		
5B	207	S1-02541318000	SWITCH,LIMIT 250 MANUAL RESET	S1-02541318000	2	2	2		
5B	208	S1-02537499000	SENSOR,FLAME,GAS	S1-02537499000	1	1	1		
5B	210	S1-02545231000	IGNITER,SILICON NITRIDE,KYOCERA	S1-02545231000	1	1	1		
5B	212	S1-37339494004	KIT,BURNER PLATE,95%,100M	S1-37339494004	1	1			
5B	212	S1-37339494005	KIT,BURNER PLATE,95%,120M	S1-37339494005			1		

Suggested stocking items are shown with shaded item number.


Section : INDUCED DRAFT ASSEMBLY COMPONENTS

Section	Callout	Replacement Part #	Description	Original Part #	RGF1904 0AE10MP 13	RGF1906 0AE10MP 13	RGF1906 0BE12MP 13	RGF1908 0BE12MP 13	RGF1908 0CE16MP 13
5C	117	S1-32816424000	KIT,PAN,CONDENSATE,40M	S1-32816424000	1				
5C	117	S1-32816447000	KIT,CONDENSATE PAN (60M-NON MOD)	S1-32816447000		1	1		
5C	117	S1-32816448000	KIT,CONDENSATE PAN (80M-NON MOD)	S1-32816448000				1	1
5C	118	S1-32649692000	BLOWER,COMBUSTION,90% INDUCER,KIT	S1-32649692000	1	1	1	1	1
5C	120	S1-02439706000	SWITCH,PRES,AIR,0.10 IWC ON FALL,SPNO	S1-02439706000	1	1	1	1	1
5C	121	S1-02439713000	SWITCH,PRESSURE,1.10	S1-02439713000		1	1		
5C	121	S1-02439715000	SWITCH,PRESSURE,1.00	S1-02439715000	1			1	1
5C	122	S1-02815539000	HOSE,RAIN GUTTER	S1-02815539000	1	1	1	1	1
5C	123	S1-02815540000	HOSE,CONDENSATE	S1-02815540000	1	1		1	
5C	123	S1-02815855000	HOSE,CONDENSATE	S1-02815855000			1		1
5C	124	S1-02812499001	TUBING,RUBBER,.313OD,.188ID,FT,GREY(M10)	S1-02812499001	2	2	2	2	2
5C	124	S1-02816427000	TUBING,BLACK (EPDM)	S1-02816427000	2	2	2	2	2
5C	126	S1-02131420000	SCREW,INDUCER,8-32 X 3.5 INCH LG	S1-02131420000	4	4	4	4	4

5C	129	S1-02815878001	TUBING,ROUND,FORMED TUBE,BLACK EPDM	S1- 02815878 001	1	1	1	1	1
----	-----	----------------	--	------------------------	---	---	---	---	---

Section	Callout	Replacement Part #	Description	Original Part #	RGF1910 OCE16MP 13	RGF1910 OCE20MP 13	RGF1912 ODE20MP 13		
5C	117	S1-32816421000	KIT,PAN,CONDENSATE,120M (NON-MODULATING)	S1- 32816421 000			1		
5C	117	S1-32816449000	KIT,CONDENSATE PAN (100M- NON MOD)	S1- 32816449 000	1	1			
5C	118	S1-32649692000	BLOWER,COMBUSTION,90% INDUCER,KIT	S1- 32649692 000	1	1	1		
5C	120	S1-02439716000	SWITCH,PRESSURE,0.20	S1- 02439716 000	1	1	1		
5C	121	S1-02439714000	SWITCH,PRESSURE,0.90	S1- 02439714 000	1	1	1		
5C	122	S1-02815539000	HOSE,RAIN GUTTER	S1- 02815539 000	1	1	1		
5C	123	S1-02815856000	HOSE,CONDENSATE	S1- 02815856 000	1	1			
5C	123	S1-02815857000	HOSE,CONDENSATE	S1- 02815857 000			1		
5C	124	S1-02812499001	TUBING,RUBBER,.313OD,.188I D,FT,GREY(M10)	S1- 02812499 001	2	2	2		
5C	124	S1-02816427000	TUBING,BLACK (EPDM)	S1- 02816427 000	2	2	2		
5C	126	S1-02131420000	SCREW,INDUCER,8-32 X 3.5 INCH LG	S1- 02131420 000	4	4	4		
5C	129	S1-02815878001	TUBING,ROUND,FORMED TUBE,BLACK EPDM	S1- 02815878 001	1	1	1		

Suggested stocking items are shown with shaded item number.

Section : MISCELLANEOUS

Section	Callout	Replacement Part #	Description	Original Part #	RGF1904 0AE10MP 13	RGF1906 0AE10MP 13	RGF1906 0BE12MP 13	RGF1908 0BE12MP 13	RGF1908 0CE16MP 13
8	NS	S1-02527642000	CABLE STRAP,BLACK	S1-02509607000	1	1	1	1	
8	NS	S1-02522638000	BUSHING,SNAP	S1-02522638000	1	1	1	1	1
8	NS	S1-02531807000	BUSHING,THREADED	S1-02531807000	1	1	1	1	1
8	NS	S1-02815542000	GROMMET,FLEX SEALING PVC	S1-02815542000	1	1	1	1	1
8	NS	S1-02818916000	KNOB,ASSY,HANDLE/LATCH	S1-02818916000	2	2	2	2	2
8	NS	S1-02924480000	PARTS PACKAGE,040-080 NEW 95% FURNACES	S1-02924480000	1	1	1	1	
8	NS	S1-02924481000	PART PACKAGE,FURN,100-130 BTU,95 PERCENT	S1-02924481000					1

Section	Callout	Replacement Part #	Description	Original Part #	RGF1910 0CE16MP 13	RGF1910 0CE20MP 13	RGF1912 0DE20MP 13		
8	NS	S1-02527642000	CABLE STRAP,BLACK	S1-02509607000		1	1		
8	NS	S1-02522638000	BUSHING,SNAP	S1-02522638000	1	1	1		
8	NS	S1-02531807000	BUSHING,THREADED	S1-02531807000	1	1	1		
8	NS	S1-02815542000	GROMMET,FLEX SEALING PVC	S1-02815542000	1	1	1		
8	NS	S1-02818916000	KNOB,ASSY,HANDLE/LATCH	S1-02818916000	2	2	2		
8	NS	S1-02924481000	PART PACKAGE,FURN,100-130 BTU,95 PERCENT	S1-02924481000	1	1	1		

Suggested stocking items are shown with shaded item number.

Section : WIRING DIAGRAM / VFD PARAMETER

Section	Callout	Replacement Part #	Description	Original Part #	RGF1904 0AE10MP 13	RGF1906 0AE10MP 13	RGF1906 0BE12MP 13	RGF1908 0BE12MP 13	RGF1908 0CE16MP 13
9	NS	1152887	LABEL - BLANK WIRING DIAGRAM 8.5 X 11.0	1152887	1	1	1	1	1
9	NS	5594770	WIRING DIAGRAM - 8.5 X 11.0	5594770	1	1	1	1	1

Section	Callout	Replacement Part #	Description	Original Part #	RGF1910 0CE16MP 13	RGF1910 0CE20MP 13	RGF1912 0DE20MP 13		
9	NS	1152887	LABEL - BLANK WIRING DIAGRAM 8.5 X 11.0	1152887	1	1	1		
9	NS	5594770	WIRING DIAGRAM - 8.5 X 11.0	5594770	1	1	1		

Suggested stocking items are shown with shaded item number.

Section : HARNESES

Section	Callout	Replacement Part #	Description	Original Part #	RGF1904 0AE10MP 13	RGF1906 0AE10MP 13	RGF1906 0BE12MP 13	RGF1908 0BE12MP 13	RGF1908 0CE16MP 13
10	NS	S1-02541333000	HARNESS,WIRE	S1-02541333000					1
10	NS	S1-02541334000	HARNESS,WIRE	S1-02541334000		1	1	1	
10	NS	S1-02541335000	HARNESS,WIRE	S1-02541335000	1				
10	NS	S1-02551481000	HARNESS,MOTOR ENSITE	S1-02551481000	1	1	1	1	1

Section	Callout	Replacement Part #	Description	Original Part #	RGF1910 0CE16MP 13	RGF1910 0CE20MP 13	RGF1912 0DE20MP 13		
10	NS	S1-02541333000	HARNESS,WIRE	S1-02541333000	1	1	1		
10	NS	S1-02551481000	HARNESS,MOTOR ENSITE	S1-02551481000	1	1	1		

Suggested stocking items are shown with shaded item number.

Model series repair parts lists are generated for each model number from the last production bill of material.

Major components and suggested stocking items are shown with shaded item number.

Repair parts lists are subject to change without notice.

TO ORDER AUTHORIZED FACTORY REPLACEMENT PARTS - Contact your Source1 HVAC Parts Distributor or visit our website at www.Source1Parts.com for a Distributor and Dealer listing.

Copyright © 2025 by Johnson Controls Inc. All rights reserved.

Johnson Controls Unitary Products